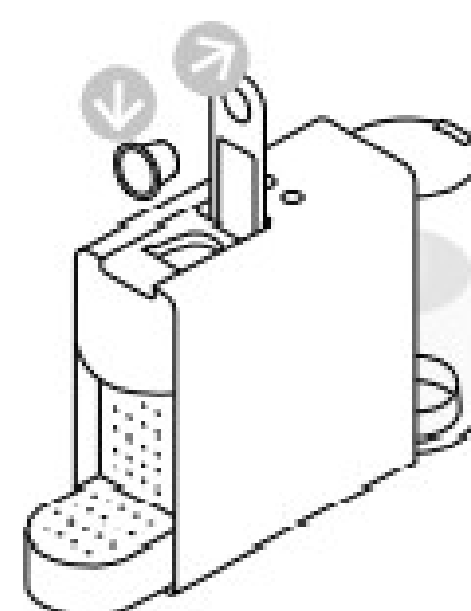
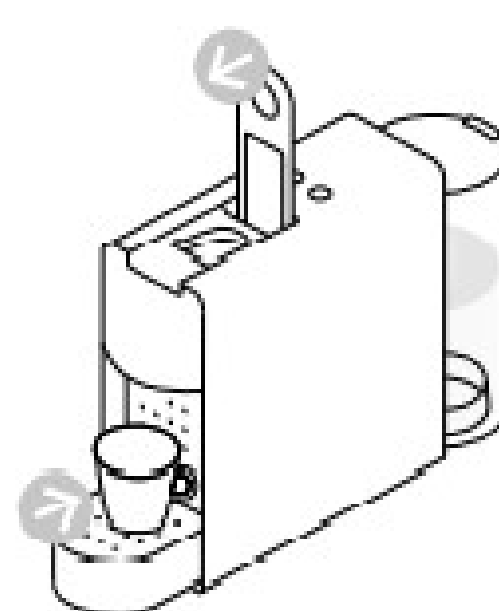


# Nespresso Machine User Manual

- Press the Espresso or Lungo button to turn on the machine.  
**Flashing Lights:** Warming up (25 seconds)  
**Steady Lights:** Ready



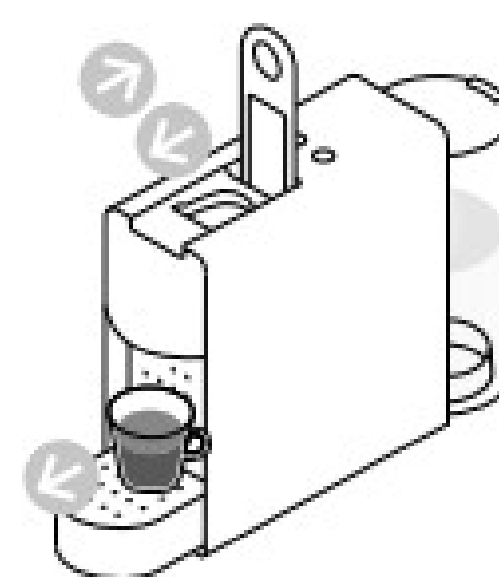
- Lift the slider arm right up, insert the capsule and put the arm down. Place a cup under the coffee spout.
- Do not remove the arm while the machine is working and please check safety manual for possible risks.
- While the machine is still heating up and the lights are blinking you can select the desired coffee size using the buttons. The coffee will then flow automatically when the machine is ready.



- Press Espresso (40 ml) or Lungo (110 ml) to start making your coffee. The coffee flow will stop automatically when it is ready.
- Press the buttons again if you want to stop the coffee flow and to manually top up your coffee press the selected button from end of preparation and press the button again to stop.



- After the coffee flow stops you may get your cup and enjoy!
- Lift the arm right up again and the capsule will be ejected to the used capsule container, then put the arm down.



KARARGÂH